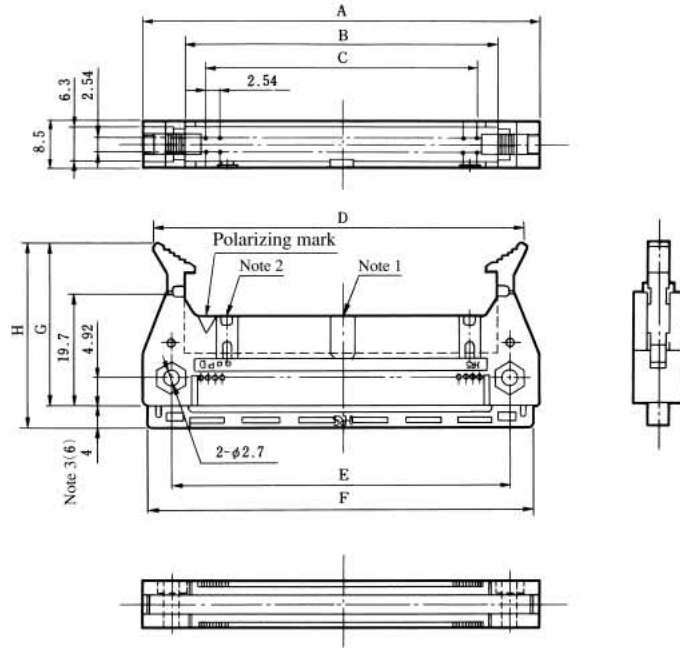
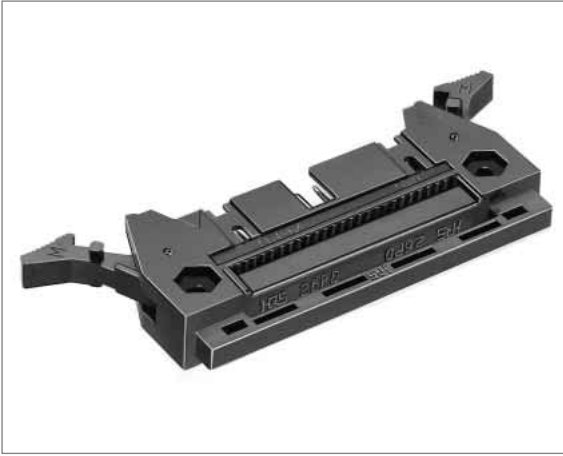


HIF3B Series Ribbon Cable Connector Compliant with MIL Standard

■ Plug



- Note 1, Note 2: The number of polarizing slot and key installed positions changes according to products. The 10 contact connector only has no position for polarizing key insulation.
- Note 3: The number indicated in parentheses are sizes for 60 and 64 contact connectors.
- Note 4: The HIF3BAE-60PD-2.54R-MC product partially differs in a locking form, and the mating member is applicable for HIF3A only.

Unit:mm

Part Number	CL No.	Number of Contacts	A	B	C	D	E	F	G	H	Polarizing slot	RoHS
HIF3BD -10PD-2.54R-MC	611-0031-7	10	31.98	17.48	10.16	28.14 MAX51.1	21.88	30.13	29.2	33.2	One at center	YES
HIF3BA -16PD-2.54R-MC	611-0032-0	16	39.60	25.10	17.78	35.74 MAX58.7	29.50	37.75				
HIF3BA -20PD-2.54R-MC	611-0033-2	20	44.68	30.18	22.86	40.84 MAX63.8	34.58	42.83				
HIF3BA -26PD-2.54R-MC	611-0034-5	26	52.30	37.80	30.48	48.44 MAX71.4	42.20	50.45				
HIF3BA -30PD-2.54R-MC	611-0035-8	30	57.38	42.88	35.56	53.54 MAX76.5	47.28	55.53				
HIF3BA -34PD-2.54R-MC	611-0036-0	34	62.46	47.96	40.64	58.64 MAX81.6	52.36	60.61				
HIF3BA -40PD-2.54R-MC	611-0037-3	40	70.08	55.58	48.26	66.24 MAX89.2	59.98	68.23				
HIF3BA -50PD-2.54R-MC	611-0038-6	50	82.78	68.28	60.96	78.94	72.68	80.93				
HIF3BB -50PD-2.54R-MC	611-0041-0	50				MAX101.9						
HIF3BA -60PD-2.54R-MC	611-0039-9	60	95.48	80.98	73.66	91.64	85.38	93.63				
HIF3BB -60PD-2.54R-MC	611-0042-3	60				MAX114.6						
HIF3BAE-60PD-2.54R-MC	611-0059-6	60				91.7 MAX121.3						
HIF3BA -64PD-2.54R-MC	611-0040-8	64	100.56	86.06	78.74	96.74	90.46	98.71	29.2	35.2	One on right and left sides, resp.	
HIF3BB -64PD-2.54R-MC	611-0045-1	64				MAX119.7						

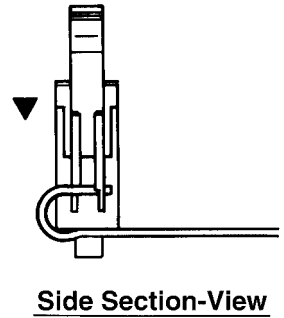
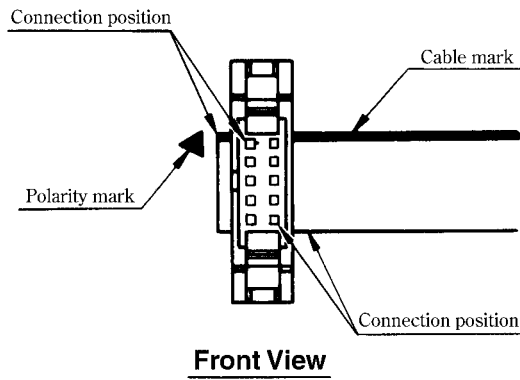
*D size $\frac{\text{locking size}}{\text{unlocking size}}$

◆ Connection Procedures

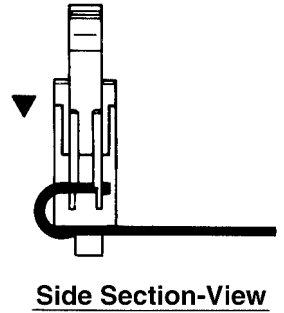
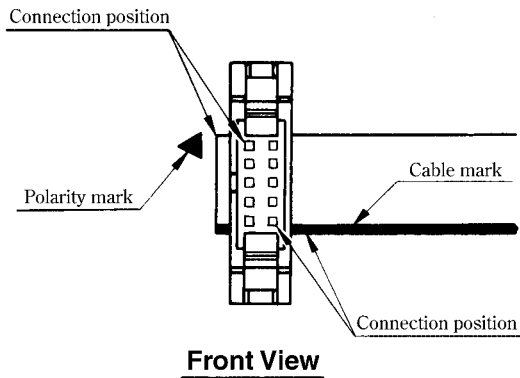
Note1: Cable length tolerance
 Less than 500 $\pm 1\%$ (mm)
 More than 500 $\pm 3\%$ (mm)

Note2: When a cable such as a twist cable or a slit (like a roller screen) cable is used, the cable pitch will change according to cable manufacturers. If connection failure has occurred, please contact Hirose sales.

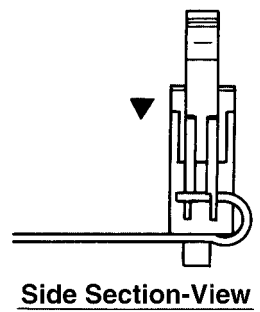
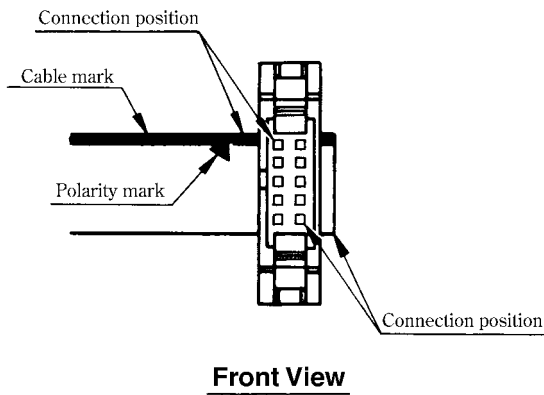
Type AO



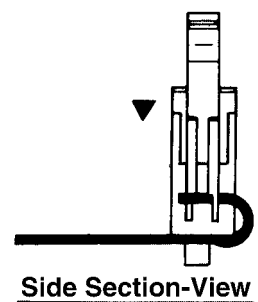
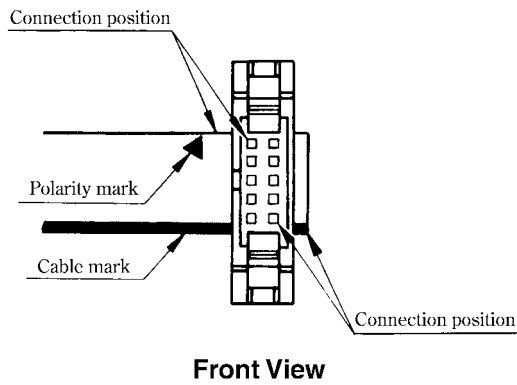
Type BO



Type CO



Type DO



Mouser Electronics

Authorized Distributor

Click to View Pricing, Inventory, Delivery & Lifecycle Information:

[Hirose Electric:](#)

[HIF3BA-34D-2.54R](#) [HIF3BA-40D-2.54R](#) [HIF3BB-50D-2.54R](#) [HIF3BA-10D-2.54R](#) [HIF3BA-16D-2.54R](#) [HIF3BA-26D-2.54R](#)