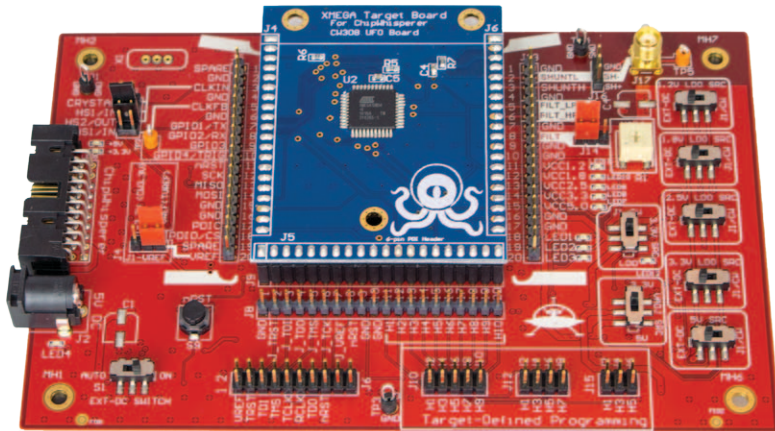




CW308 UFO Target Board



Get probing! The ChipWhisperer CW308 UFO board is the ultimate starting point for side-channel power analysis attacks when combined with a ChipWhisperer Capture solution. The CW308 puts all the standard requirements onto one board (such as power supplies, oscillators, filters) allowing you to make super-simple target victim boards.

A large variety of available target examples provides all levels of architectures for you to test against including 8-bit microcontrollers, 32-bit microcontrollers, and FPGAs.

Product Highlights

- 1.2V, 1.8V, 2.5V, 3.3V, and V-ADJ (1.25V - 3.5V range) power supplies.
- Oscillator driver with crystal socket to allow use of most 2 or 3-pin crystals to drive target device or ChipWhisperer.
- On-board LC low-pass filter to provide “clean” power supply for resistive shunt measurement.
- Diode protection on I/O lines to allow voltage glitch insertion on target with less risk to connected devices.
- Soft-start on input power to avoid disconnecting ChipWhisperer-Lite USB when switching power on/off.
- Includes 8-bit Atmel XMEGA and 32-bit STM32F3 (Cortex M3) target devices.

Ordering Summary

NAE-CW308

Includes base-board, two targets, and additional accessories (see detailed ordering description).

NAE-CW308-ACCKIT

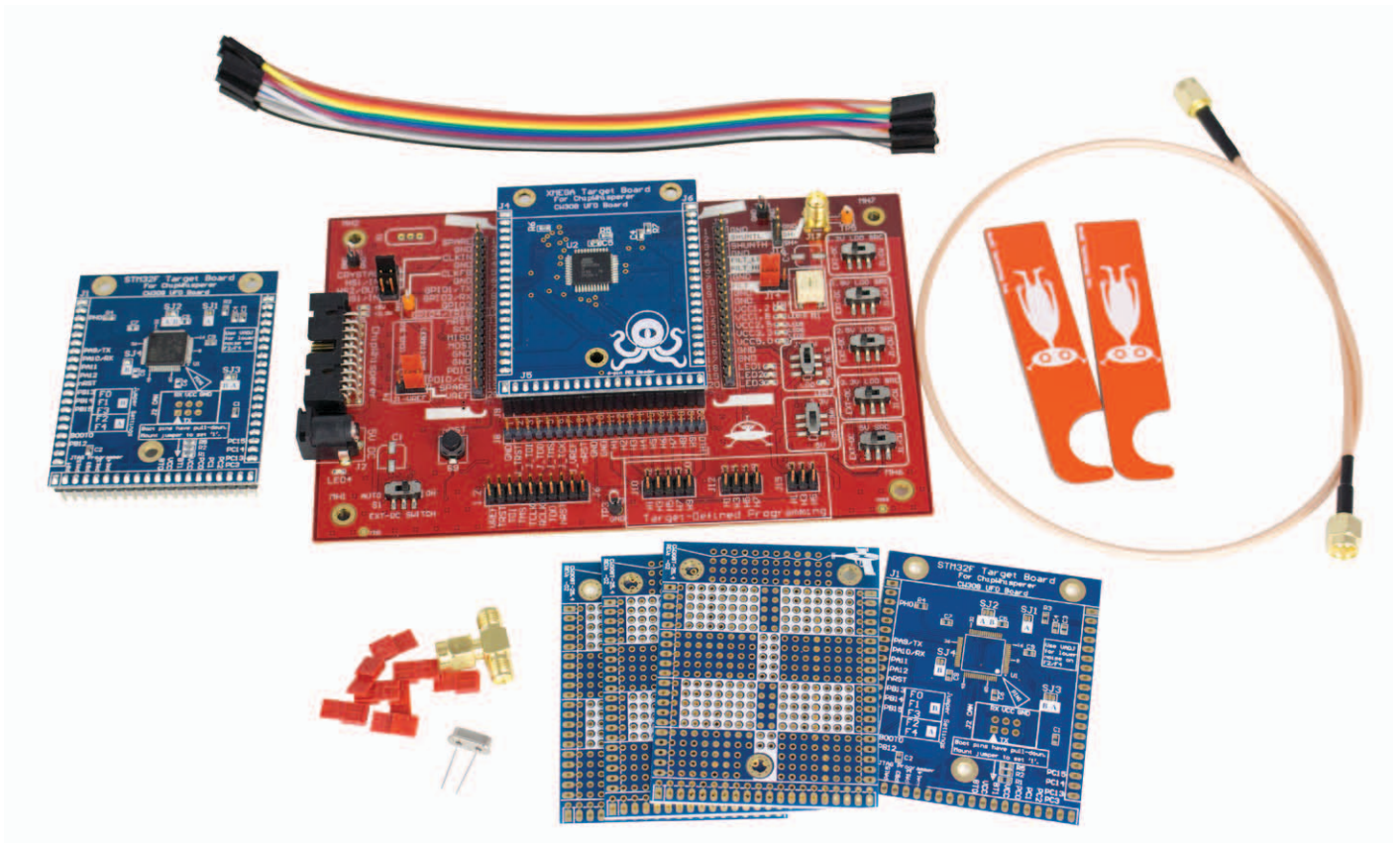
Includes 5.0V power supply & SMA-BNC cable. Connects board to regular oscilloscope (not used with ChipWhisperer-Capture).

Product Links

Full Documentation <http://cwdocs.com/cw308>

Detailed Ordering Options

NAE-CW308



The CW308 comes with the following parts (shown above)

- CW308 Main Board
- CW308T-XMEGA Target Board (Atmel 8-bit microcontroller)
- CW308T-STM32F3 Target Board (ARM Cortex M3)
- CW308T Prototyping Boards (2.54mm prototyping board)
- NPCB-CW308T-STM32F Blank PCB (Fits STM32F0, F1, F2, F3, F4)
- Target Removal Tool
- 7.37 MHz crystal
- 8x jumper wires
- 30 cm SMA cable
- SMA Tee

NAE-CW308-ACCKIT

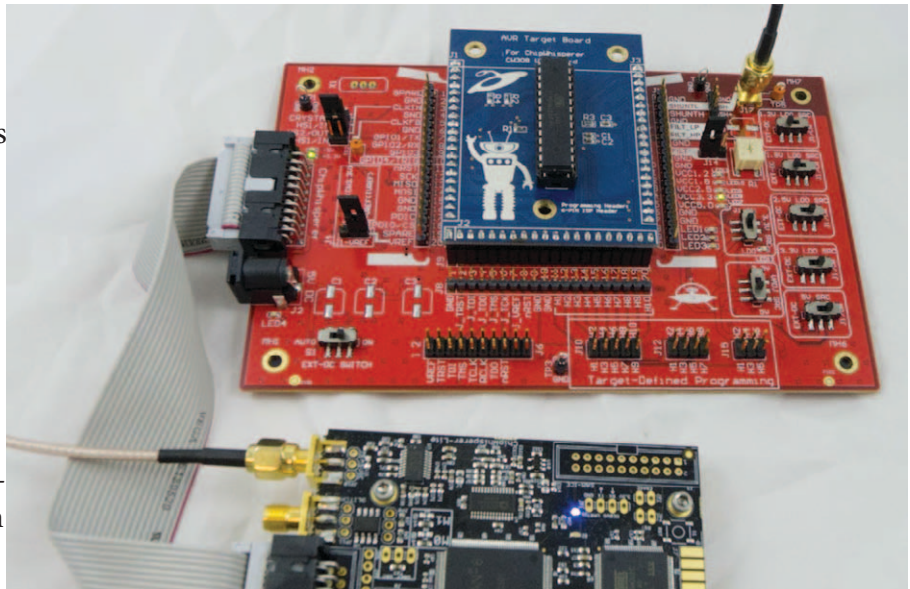
The accessory kit includes the additional required parts for powering the board stand-alone. The kit consists of the following items:

- 24 inch SMA to BNC Cable, Johnson P/N 415-0028-024
- 5.0 VDC Power Supply, XP Power P/N VER12US050-JA

ChipWhisperer Capture

The CW308 seamlessly connects to the CW1173 and CW1200 capture hardware. The capture hardware provides power, serial communication, clock, shunt resistor monitoring, and power and voltage fault injection capability.

Select devices (including the AVR, XMEGA, and ST-M32Fx) targets can be programmed from the ChipWhisperer, avoiding the need for an external programmer.

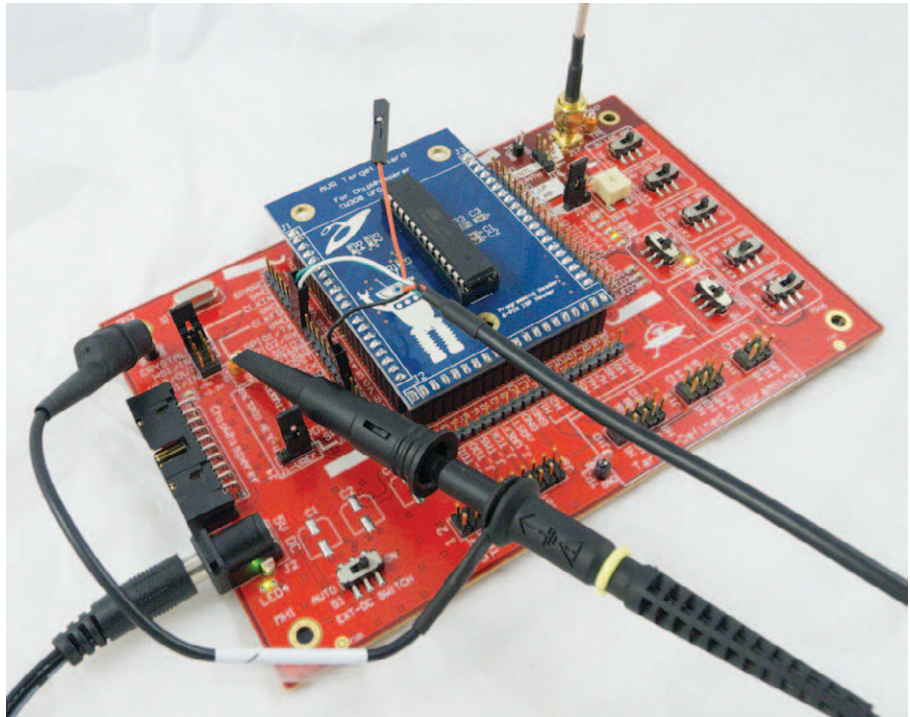


Stand Alone Usage

Stand alone usage is possible by connecting the SMA measurement port to an oscilloscope input, recommended with the SMA to BNC cable (available option).

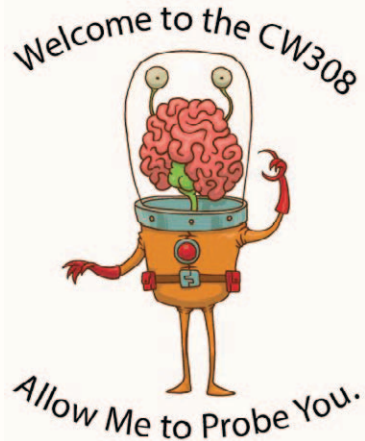
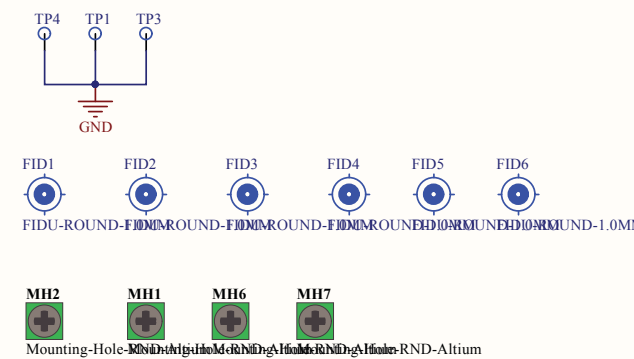



The CW308T targets implement the Simple-Serial protocol (see <http://wiki.newae.com>), and will require a suitable 3.3V serial interface to send and receive data.

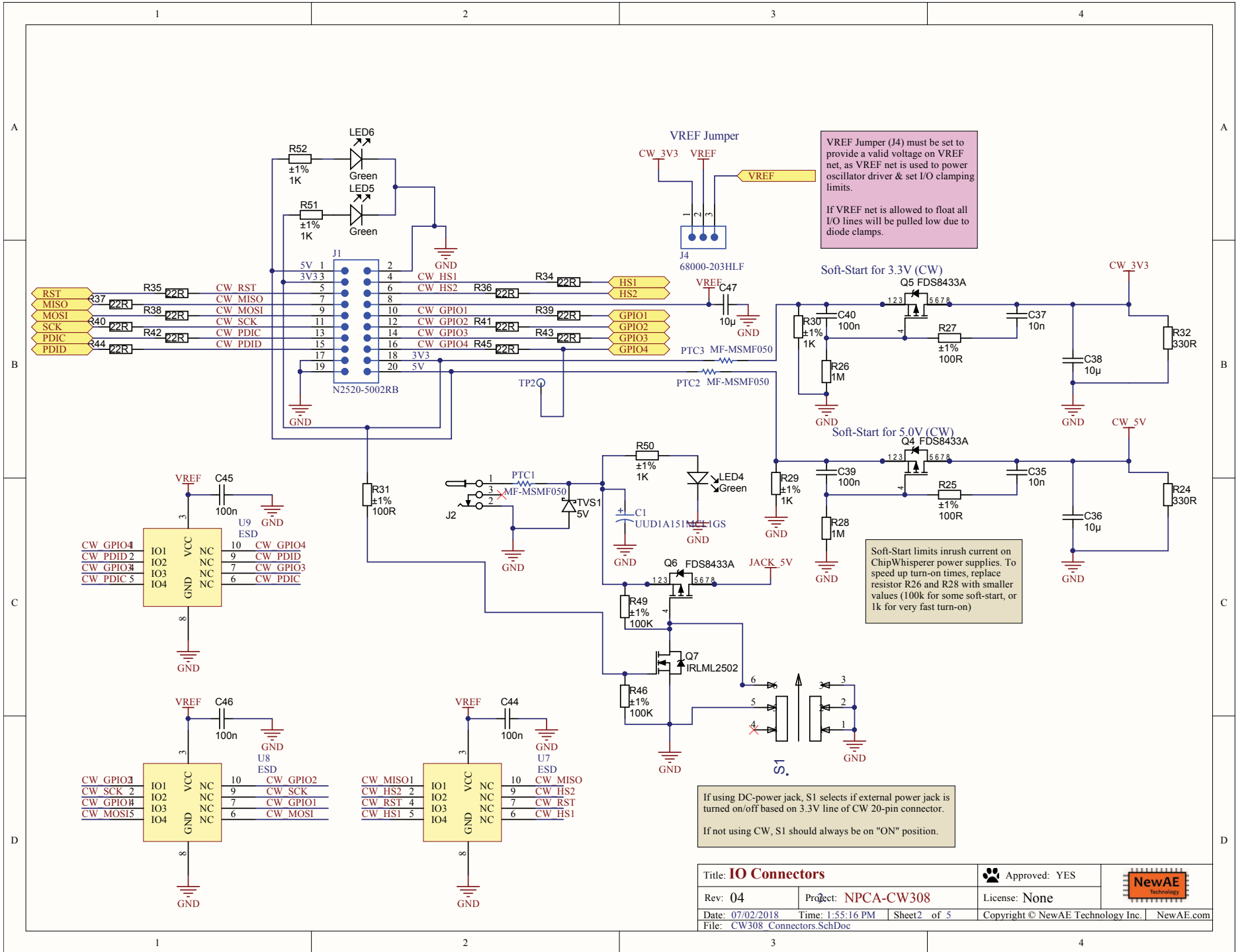
External programmers will be needed for all targets.



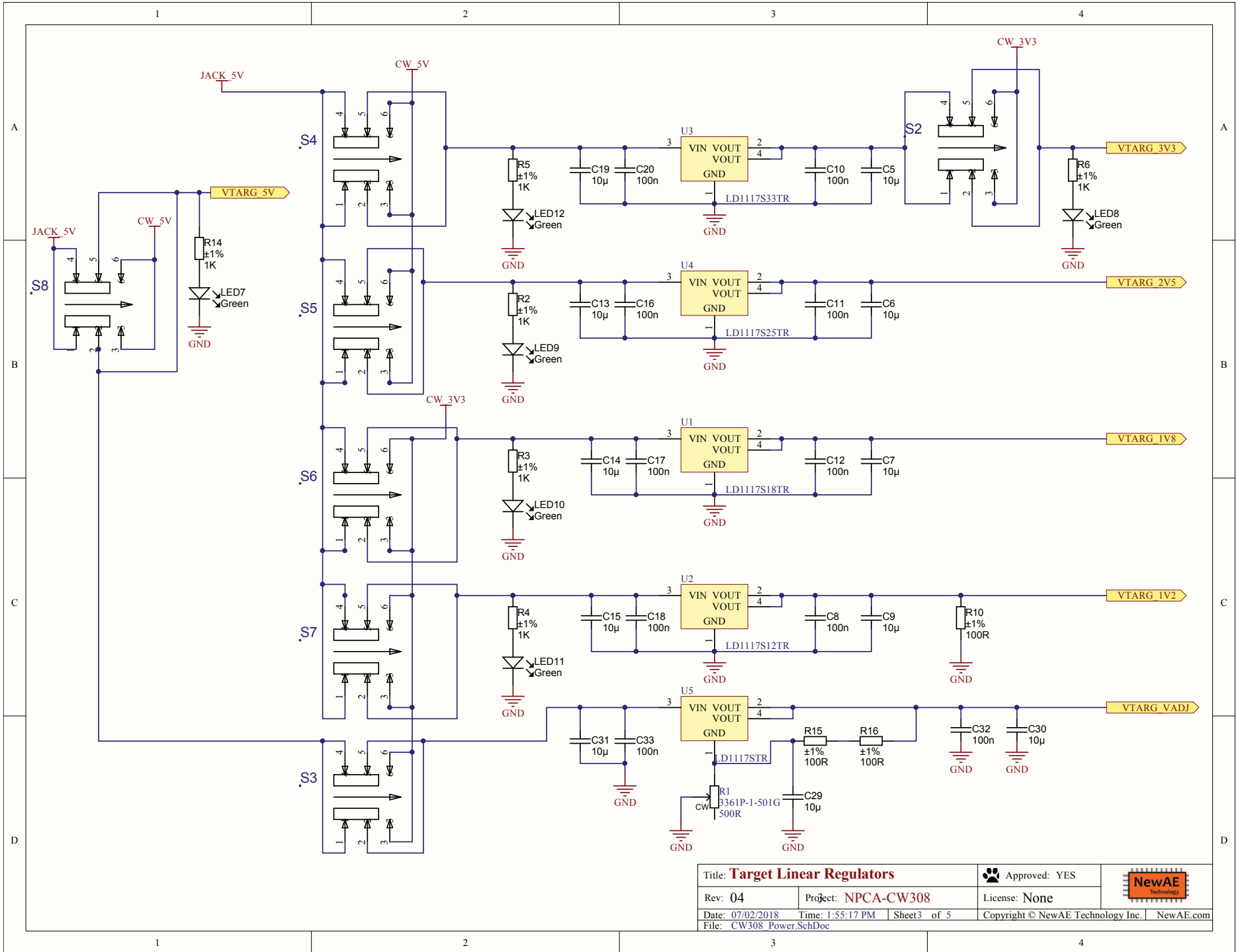
Full Documentation

See <http://cwdocs.com/cw308> for the UFO board documentation hosted at ChipWhisperer.com .

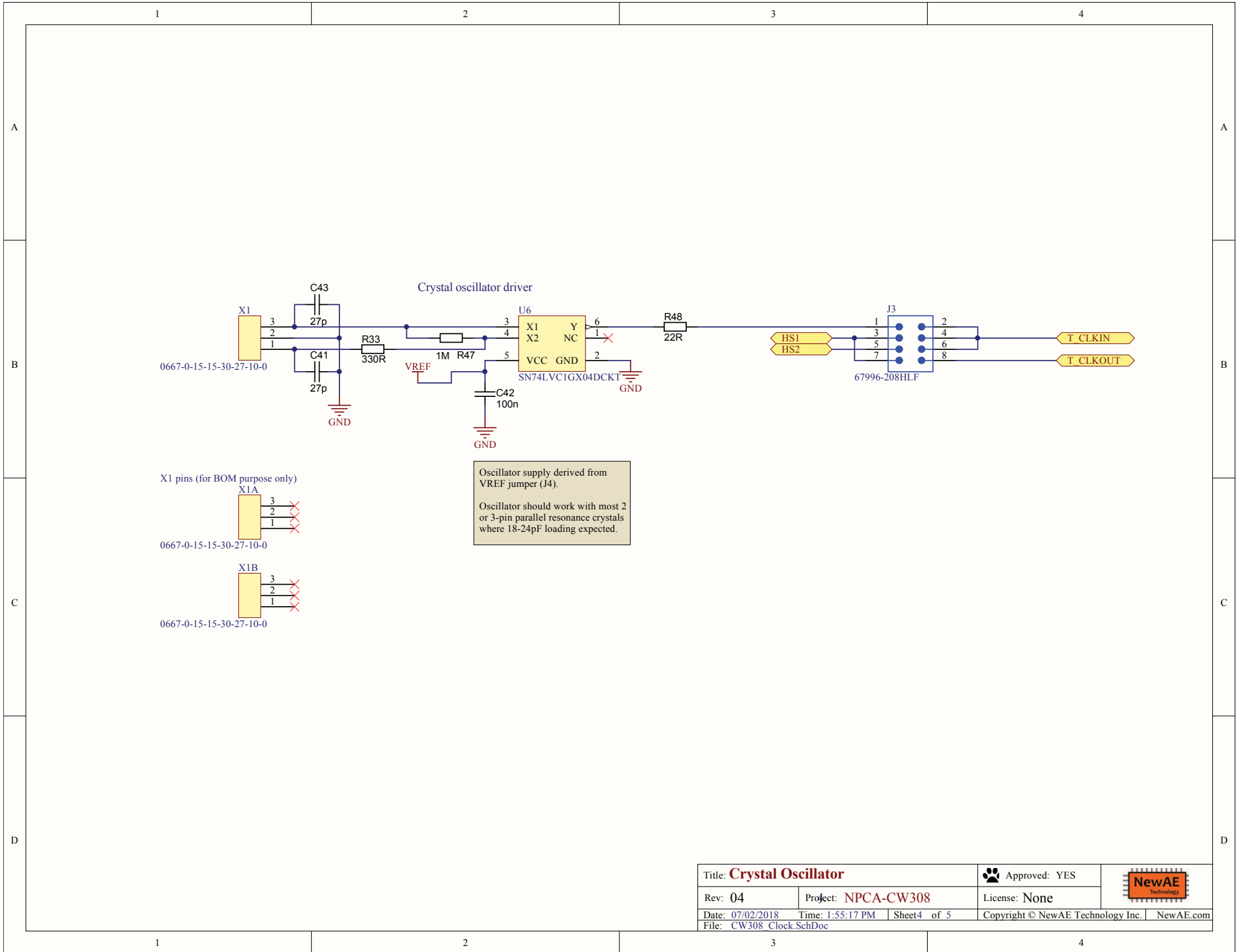
<p>Change Log</p> <p>Changes in -04: *Addition of S9, R53 *Removed C2/C3 (not used)</p> <p>Changes in -03: * Change clock resistor. * Move switches slightly to give clearance for lifter board. * Add adjustable regulator & jumper to select FILTIN source.</p> <p>Changes in -02: * Add test points for GND, Trig. * Add 100K pull-up on JTAG, nRST. * Fixed size of holes in XTAL pins. * Add pull-downs on capacitors. * LEDs moved from switches to beside terminals. * Addition of 5V switch.</p>																		
																		
 <p>TP4 TP1 TP3 GND</p> <p>FID1 FID2 FID3 FID4 FID5 FID6 FIDU-ROUND-FIDU-ROUND-FIDU-ROUND-FIDU-ROUND-FIDU-ROUND-FIDU-ROUND-1.0MM</p> <p>MH2 MH1 MH6 MH7 Mounting-Hole-RND-Altium Mounting-Hole-RND-Altium Mounting-Hole-RND-Altium Mounting-Hole-RND-Altium</p>			<table border="1"> <tr> <td colspan="2">Title: Mechanical & Notes</td> <td>Approved: YES</td> <td rowspan="2"></td> </tr> <tr> <td>Rev: 04</td> <td>Project: NPCA-CW308</td> <td>License: None</td> </tr> <tr> <td>Date: 07/02/2018</td> <td>Time: 1:55:16 PM</td> <td>Sheet 1 of 5</td> <td>Copyright © NewAE Technology Inc. NewAE.com</td> </tr> <tr> <td colspan="4">File: CW308_Mechanical.SchDoc</td> </tr> </table>	Title: Mechanical & Notes		Approved: YES		Rev: 04	Project: NPCA-CW308	License: None	Date: 07/02/2018	Time: 1:55:16 PM	Sheet 1 of 5	Copyright © NewAE Technology Inc. NewAE.com	File: CW308_Mechanical.SchDoc			
Title: Mechanical & Notes		Approved: YES																
Rev: 04	Project: NPCA-CW308	License: None																
Date: 07/02/2018	Time: 1:55:16 PM	Sheet 1 of 5	Copyright © NewAE Technology Inc. NewAE.com															
File: CW308_Mechanical.SchDoc																		



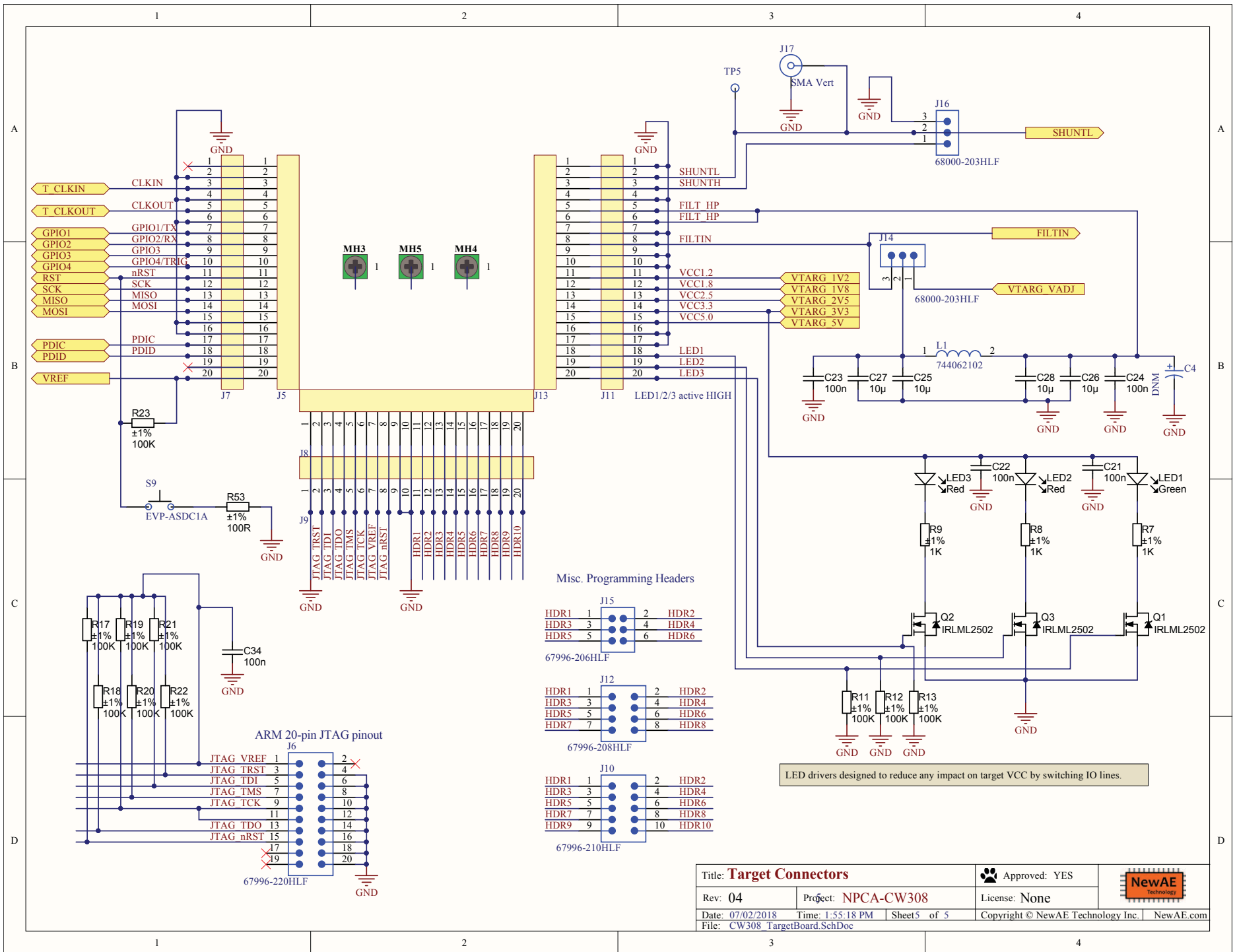
Title: IO Connectors		Approved: YES	
Rev: 04	Project: NPCA-CW308	License: None	
Date: 07/02/2018	Time: 1:55:16 PM	Sheet2 of 5	Copyright © NewAE Technology Inc. NewAE.com
File: CW308_Connectors.SchDoc			



Title: Target Linear Regulators		Approved: YES	
Rev: 04	Project: NPCA-CW308	License: None	
Date: 07/02/2018	Time: 1:55:17 PM	Sheet3 of 5	Copyright © NewAE Technology Inc. NewAE.com
File: CW308 Power.SchDoc			



Title: Crystal Oscillator		Approved: YES	
Rev: 04	Project: NPCA-CW308	License: None	
Date: 07/02/2018	Time: 1:55:17 PM	Sheet 4 of 5	Copyright © NewAE Technology Inc. NewAE.com
File: CW308_Clock.SchDoc			



Title: Target Connectors		Approved: YES	
Rev: 04	Project: NPCA-CW308	License: None	
Date: 07/02/2018	Time: 1:55:18 PM	Sheet 5 of 5	Copyright © NewAE Technology Inc. NewAE.com
File: CW308 TargetBoard.SchDoc			

Disclaimers

All content is Copyright NewAE Technology Inc., 2018. ChipWhisperer is a trademark of NewAE Technology Inc., registered in the United States of America, the European Union, and China. ChipSHOUTER is a trademark of NewAE Technology Inc., registered in Europe. Trademarks are claimed in all jurisdictions and may be registered in other states than specified here.

NewAE Technology makes no representations or warranties with respect to the accuracy or completeness of the contents of this document and reserves the right to make changes to specifications and product descriptions at any time without notice. NewAE Technology does not make any commitment to update the information contained herein. NewAE Technology products are not intended, authorized, or warranted for use as components in applications intended to support or sustain life. NewAE Technology products are designed solely for teaching purposes.

All other product names and trademarks are the property of their respective owners, which are in no way associated or affiliated with NewAE Technology Inc. Use of these names does not imply any co-operation or endorsement.

AVR and XMEGA are registered trademarks or trademarks of Atmel Corporation or its subsidiaries, in the US and/or other countries.

Artix and Spartan are registered trademarks or trademarks of Xilinx, Inc. or its subsidiaries, in the US and/or other countries.

Arm is a registered trademark of Arm Limited (or its subsidiaries) in the US and/or elsewhere.

Mouser Electronics

Authorized Distributor

Click to View Pricing, Inventory, Delivery & Lifecycle Information:

[NewAE Technology:](#)

[NAE-CW308-04](#)